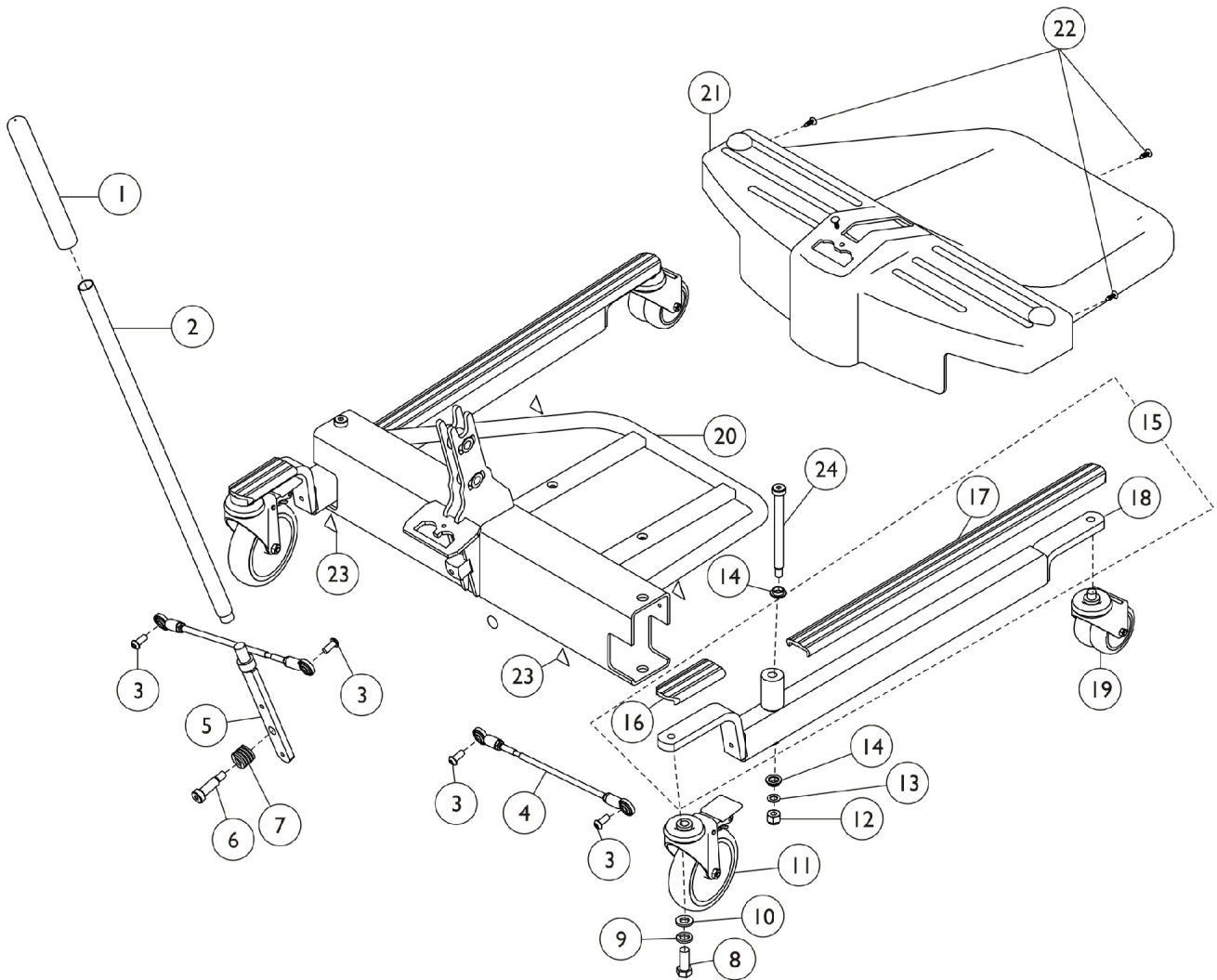


Base Assembly

Model - RPS 350-1



Base Assembly

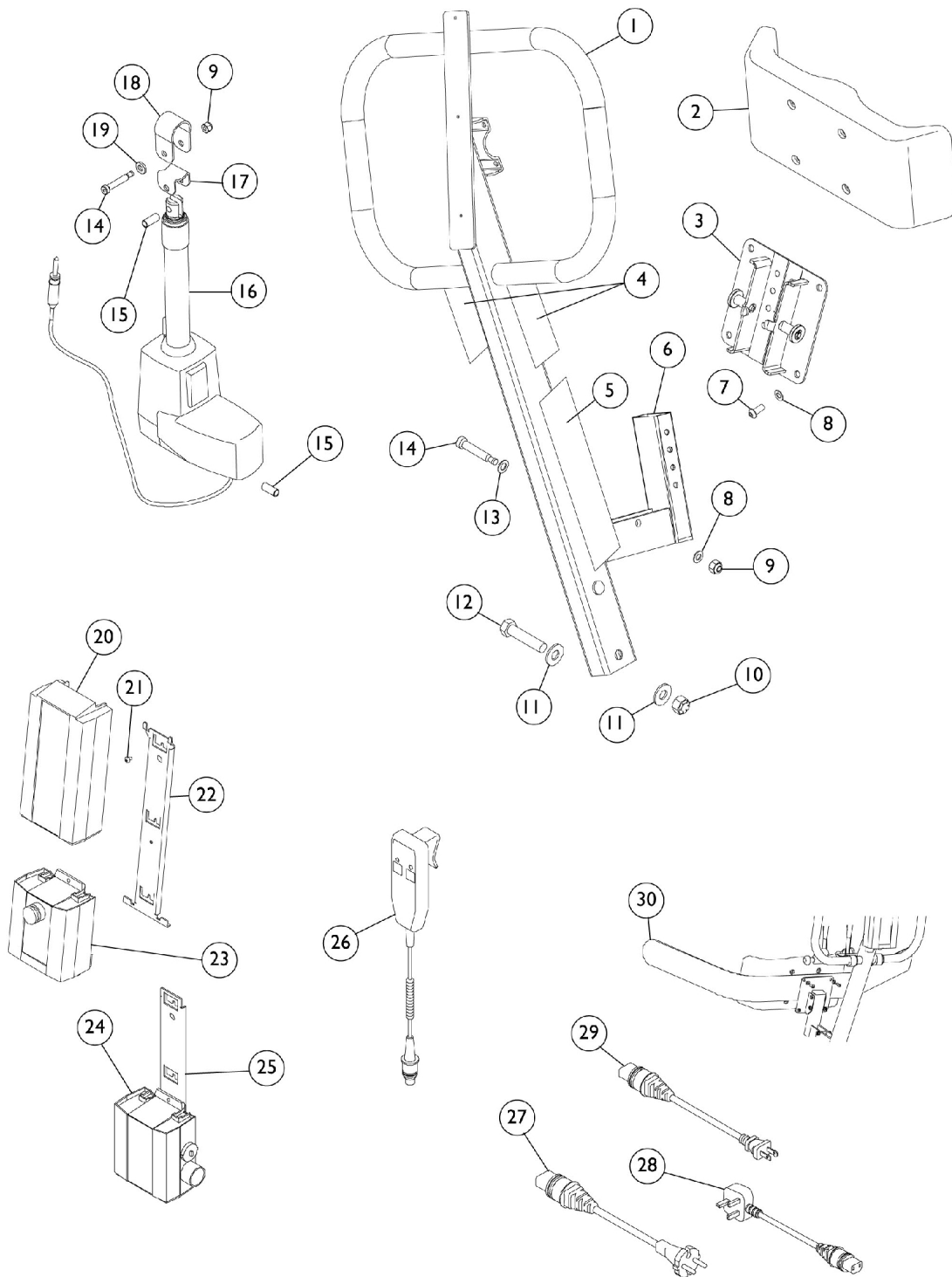
Model - RPS 350-1

Item Number	Note	Part Number	Description	Quantity Per	
				Package	Assembly
1		1032246	Grip, Cane	1	1
2		1078287	Handle	1	1
3		1065215	Screw, Button Head Cap (5/16-18 x 3/4")	1	4
4		1065152	Tie Rod	1	2
5		1078289	Handle, Mount	1	1
6		1029134	Screw, Shoulder (1/2 x 1-1/4")	1	1
7		1064122	Spring	1	1
8		1073884	Screw, Hex Head Cap (1/2-13 x 1-1/4")	1	2
9		1014371	Lockwasher (1/2")	1	2
10		1073885	Washer (1/2 x 15/16 x 1/8")	1	2
11	C	1123539	Caster, 5" Swivel with Brake	1	2
	D	1110421	Kit, Caster 5" Swivel with Brake	1	1
		1123539	Caster, 5" Swivel with Brake	2	1
12		1065216	Locknut (3/8 - 16)	1	2
13		1065214	Washer, Flat (3/8 x 11/16 x 1/16")	1	2
14		1062419	Bushing, Flanged	1	4
15	A	1095673	Kit, Leg	1	1
16		1079137	Cover, Rear Leg - Low Base & Standard Base	1	2
17		1079136	Cover, Leg	1	2
18		1095671	Leg, Single	1	2
18	B	1078977	Leg, Single	1	2
19		1123560	Caster, 3" Swivel Dual	1	2
20		1078973	Cross Support	2	1
21		1078294	Shroud - Footrest	1	2
22		1023632	Clip, Shroud	1	1
23		1079112	Label, Attention	1	1
24		1062424	Screw, Shoulder (1/2 x 3/8-16 x 5")	1	2

NOTE: A - After 4/13/00 Base Legs were lowered for improved clearance.
 B - Before 4/14/00.
 C - Also, available as a pair, refer to Part #1110421.
 D - Not Shown.

Mast Assembly

Model - RPS350-1



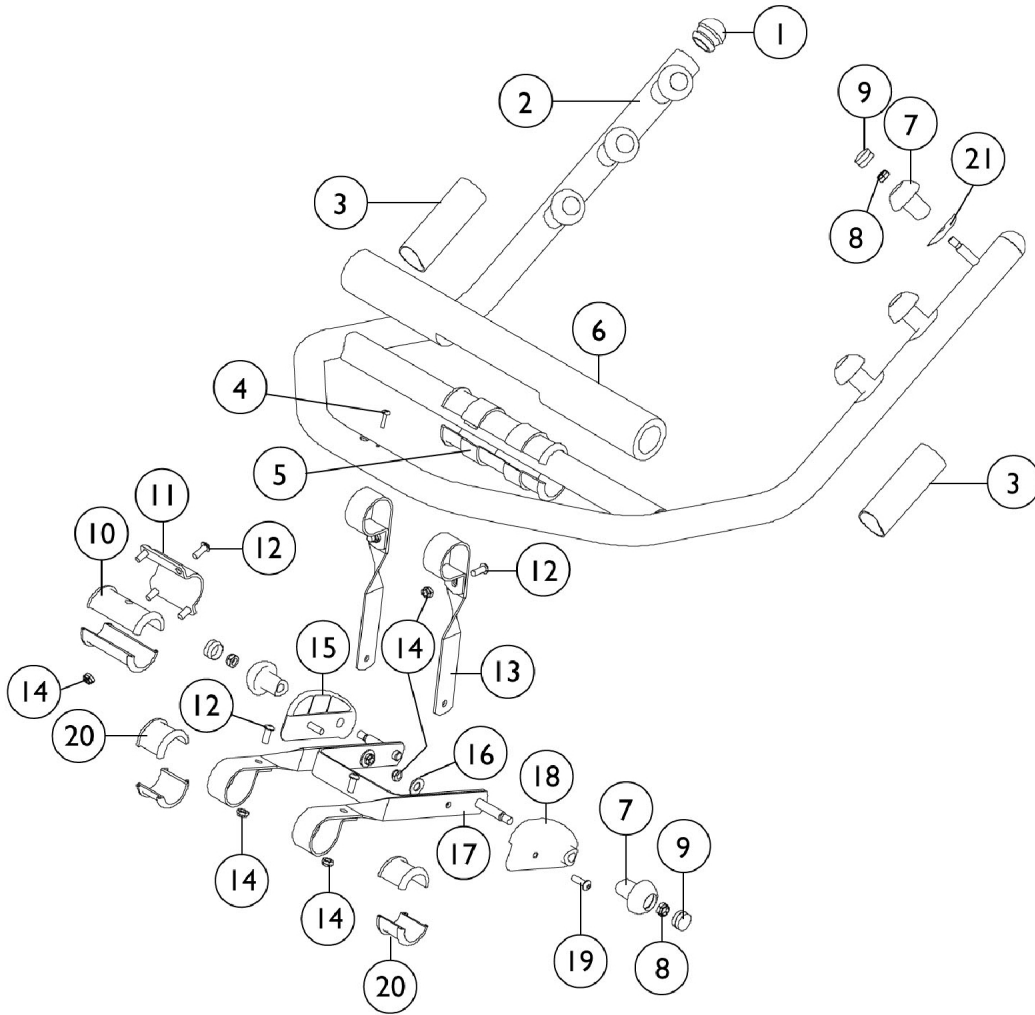
Mast Assembly Model - RPS350-1

Item Number	Note	Part Number	Description	Quantity Per	
				Package	Assembly
1		1097074	Handle	1	1
2		1070803	Knee Pad	1	1
3		1097071	Mounting, Pad	1	1
4		1073705	Decal, Reliant 350 - Logo	1	2
5		1073699	Decal, Warning - Reliant 350	1	1
6		1065360	End Cap (1-1/4 x 2")	1	1
7		1071955	Screw, Button Head (5/16-18 x 3/4")	1	4
8		1025704	Washer, Flat (5/16 x 5/8 x 1/16")	1	5
9		1064267	Locknut (5/16-18)	1	2
10		1078981	Locknut (1/2-13)	1	1
11		1068305	Washer (1/2")	1	2
12		1078979	Screw, Hex Head (1/2-13 x 2-1/4")	1	1
13		1065214	Washer, Flat (3/8 x 11/16 x 1/16")	1	1
14		1064455	Screw, Socket Head Shoulder (3/8 x 1-3/4")	1	2
15		1064443	Bushing (3/8 x 15/32 x 1-3/32")	1	2
16		1078974	Actuator	1	1
	A	1133691	Emergency Pull Pins Package	10	1
17		1071833	Bracket, Drive - Lower	1	1
18		1071832	Bracket, Drive - Upper	1	1
19		1069548	Washer (7/16 x 13/16 x 1/8")	1	1
20		1078276	Reliant Battery Pack - Electric Only	1	1
21		1078980	Screw, Phillips Head (#10-24 x 3/16")	1	3
22		1078284	Bracket, Battery - Electric Only	1	1
23		1078275	Controller - Electric Only	1	1
24		1078274	Charger - Electric Only	1	1
25		1078306	Bracket, Wall Mount Charger - Electric Only	1	1
26		1078283	Handset	1	1
27		1079134	Cord, UK - Electric Only	1	1
28		1079135	Cord, European - Electric Only	1	1
29		1079133	Cord, USA - Electric Only	1	1
30		1078982	Leg Strap	1	1
	A	1075653	Label, CE Marking	1	1

NOTE: A - Not Shown.

Arm/Horn Assembly

Model - RPS350-1



Arm/Horn Assembly Model - RPS350-1

Item Number	Note	Part Number	Description	Quantity Per	
				Package	Assembly
1		1071249	Plug, Ball (1-1/4")	1	2
2		1071091	Weldment, Arm/Horn	1	1
3		1076388	Grip Pad	1	2
4		12642X000	Screw (#8-15 x 5/8")	1	1
5		1070180	Bushing, Drive Lift	1	2
6		1070969	Bar Pad	1	1
7		1070177	Knob, Hook	1	8
8		1028769	Locknut (5/16-18)	1	8
9		1070902	Cap, Hook	1	8
10		1070175	Bushing, Horn	1	2
11		1071834	Bracket, Horn	1	1
12		1007269	Screw, Socket Button Head (1/4-20 x 5/8")	1	8
13		1071835	Bracket, Linkage	1	2
14		7930323	Pkg, Locknut (1/4-20)	25	6
15		1071831	Spacer, Guard - Left	1	1
16		1049527	Washer, Nylon (3/8 x 3/4 x 1/16")	1	2
17		1071154	Weldment, Link	1	1
18		1071830	Spacer, Guard - Right	1	1
19		1009838	Screw, Socket Head (1/4-20 x 3/4")	1	2
20		1070176	Bushing, Handle	1	4
21		1073706	Label, Lift - Tall, Medium, & Short	1	1